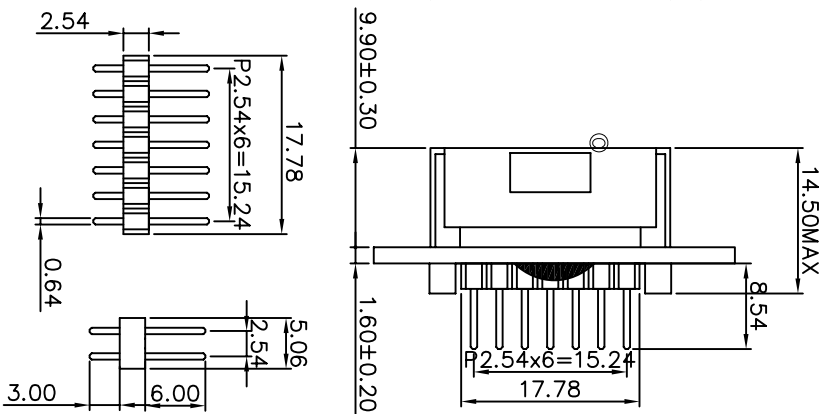


PIN NO.	1	2	3	4	5	6	7	8	9	10
SYMBOL	VSS	VDD	VO	RS	R/W	E	DB0	DB1	DB2	DB3
PIN NO.	11	12	13	14						
SYMBOL	DB4	DB5	DB6	DB7						



Type	<input type="checkbox"/> TIN	<input type="checkbox"/> HTIN	<input checked="" type="checkbox"/> STN	<input type="checkbox"/> FSTN
Mode	<input checked="" type="checkbox"/> Gray	<input type="checkbox"/> Blue	<input type="checkbox"/> YellowGreen	<input type="checkbox"/> White/Black
Polarity	<input checked="" type="checkbox"/> Positive	<input type="checkbox"/> Negative		
Reflector	<input type="checkbox"/> Reflective	<input checked="" type="checkbox"/> Transflective	<input type="checkbox"/> Transmissive	
View Angle	<input type="checkbox"/> 3 0' Clock	<input checked="" type="checkbox"/> 6 0' Clock	<input type="checkbox"/> 9 0' Clock	<input type="checkbox"/> 12 0' Clock
LED Color	<input checked="" type="checkbox"/> YellowGreen	<input type="checkbox"/> White	<input type="checkbox"/> Amber	<input type="checkbox"/> Blue
Driver	VDD:5.0V	VLED:4.1V	Vop:5.0V	Bias:1/5
Operating TEMP	0 to +50° C		Storage TEMP : -10 to +60° C	
Controller	SPIC780D-001A			
Dimensional Tolerance	<input type="checkbox"/> ±0.3	<input checked="" type="checkbox"/> ±0.5		

TOLERANCE GRADE(±)

	A	B
-6	0.1	0.2
6-18	0.2	0.3
18-50	0.25	0.4
50-180	0.4	0.5
180-	0.5	1.0

DMG: YOYO 06/5/12

CHK:

APPD:

SCALE: 1:1

DIM: MM

UPTECH LTD Shenzhen Vsky Optoelectronics co., Ltd

CUSTOMER

PART NO.

MODULE

Visual Angle

PART NAME: LCM

Material NO.

DRAWING NO. M060512B

SHEET 1 OF 1

